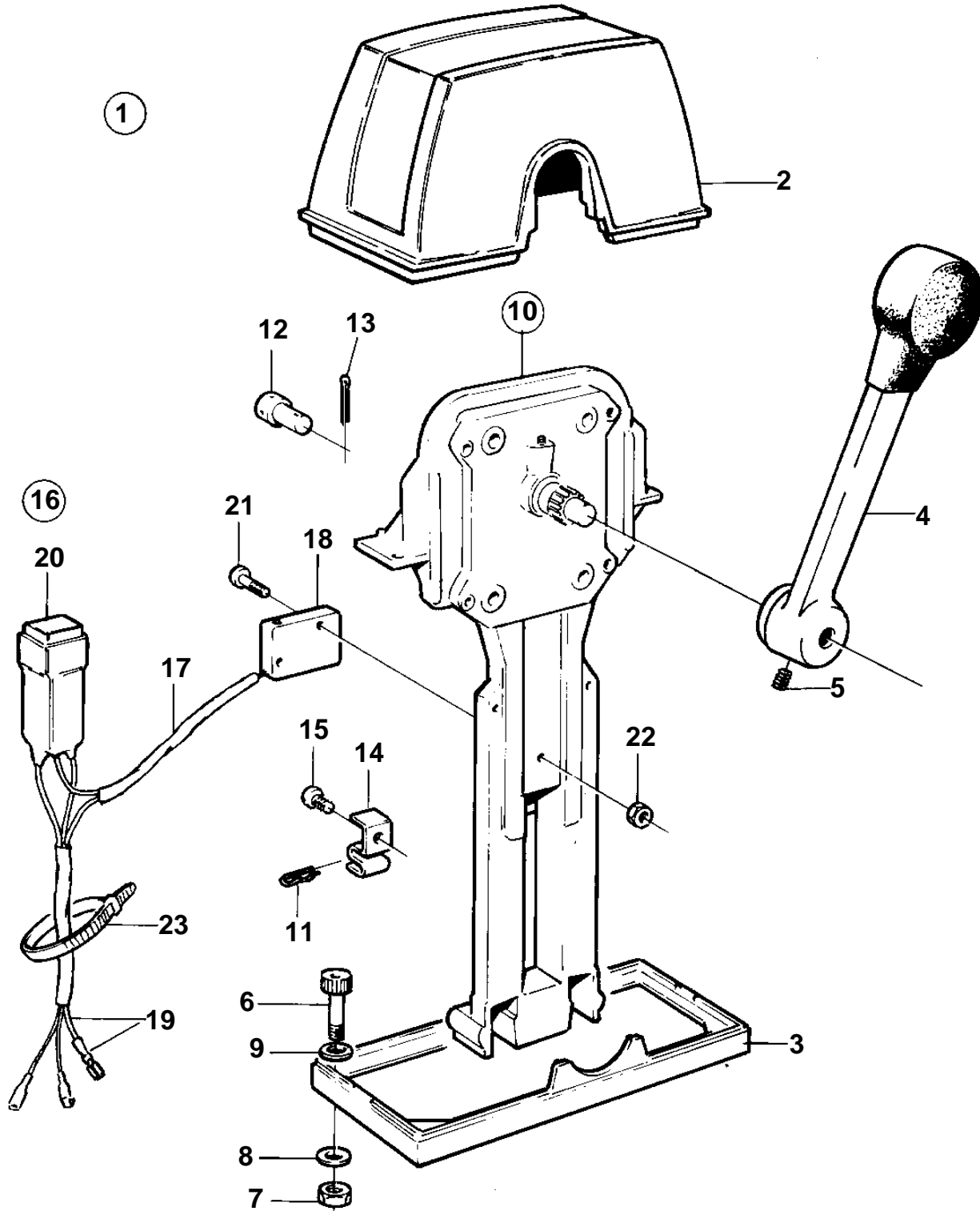


D2-55A, D2-55B, D2-55C



8862

D2-55A, D2-55B, D2-55C

REF	PART NO.	QTY	DESCRIPTION	SEE SEC.
1	1140022	1	Mounting kit	
2	850823	1	· Cover	
3	839474	1	· Plate	
4	839521	1	· Lever	
5	839693	1	· Lock screw	
6	947671	4	· Allen head screw	
7	955780	4	· Nut	
8	960138	4	· Washer	
9	940090	2	· Washer	
10	851600	1	Control	
11	852924	1	· Clip	
12	839638	2	· Cube	
13	17253	2	· Cotter pin	
14	853423	1	· Retainer	
15	839664	1	· Screw	
16	855352	1	Neutral posit contac	
17	839619	1	· Cable kit	
18	850200	1	· · Switch	
19		X	· · Cables and terminals	1963
20	876037	1	· Relay kit	
21	946177	2	· Screw	
22	947536	2	· Nut	
23	948211	X	· Strip clamp	